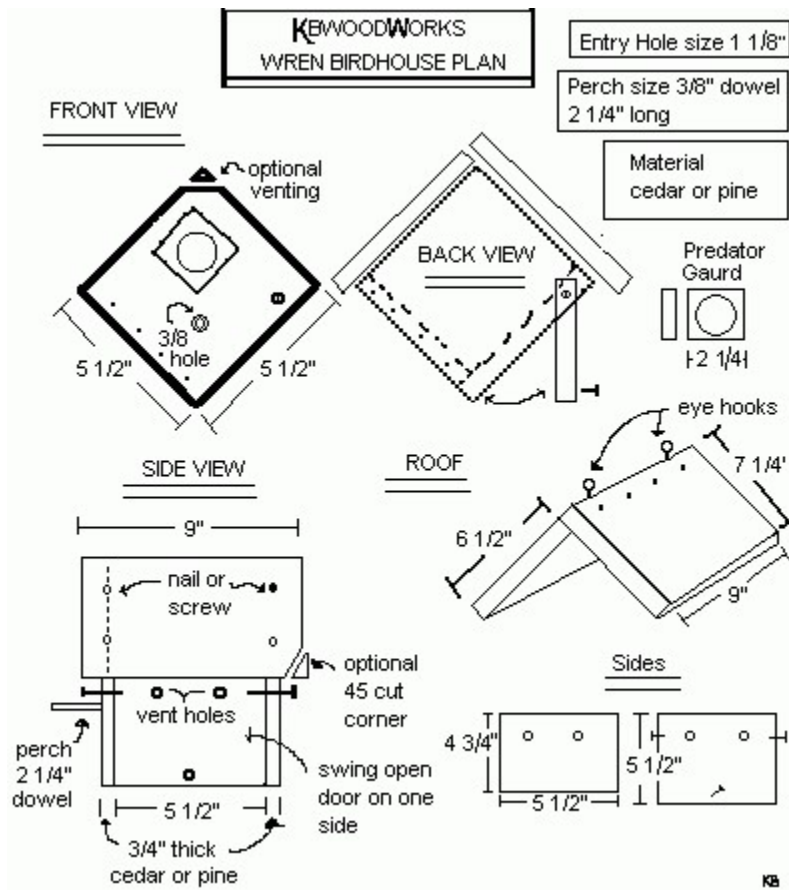
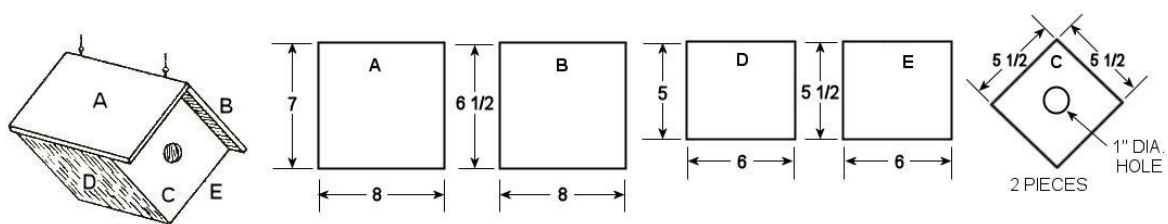


Option B



Option C

Wren House



ALL MATERIAL IS 1/2" THICK

BACK PIECE MAY BE ATTACHED WITH 1" SCREWS
TO ALLOW FOR TAKING APART FOR CLEANING